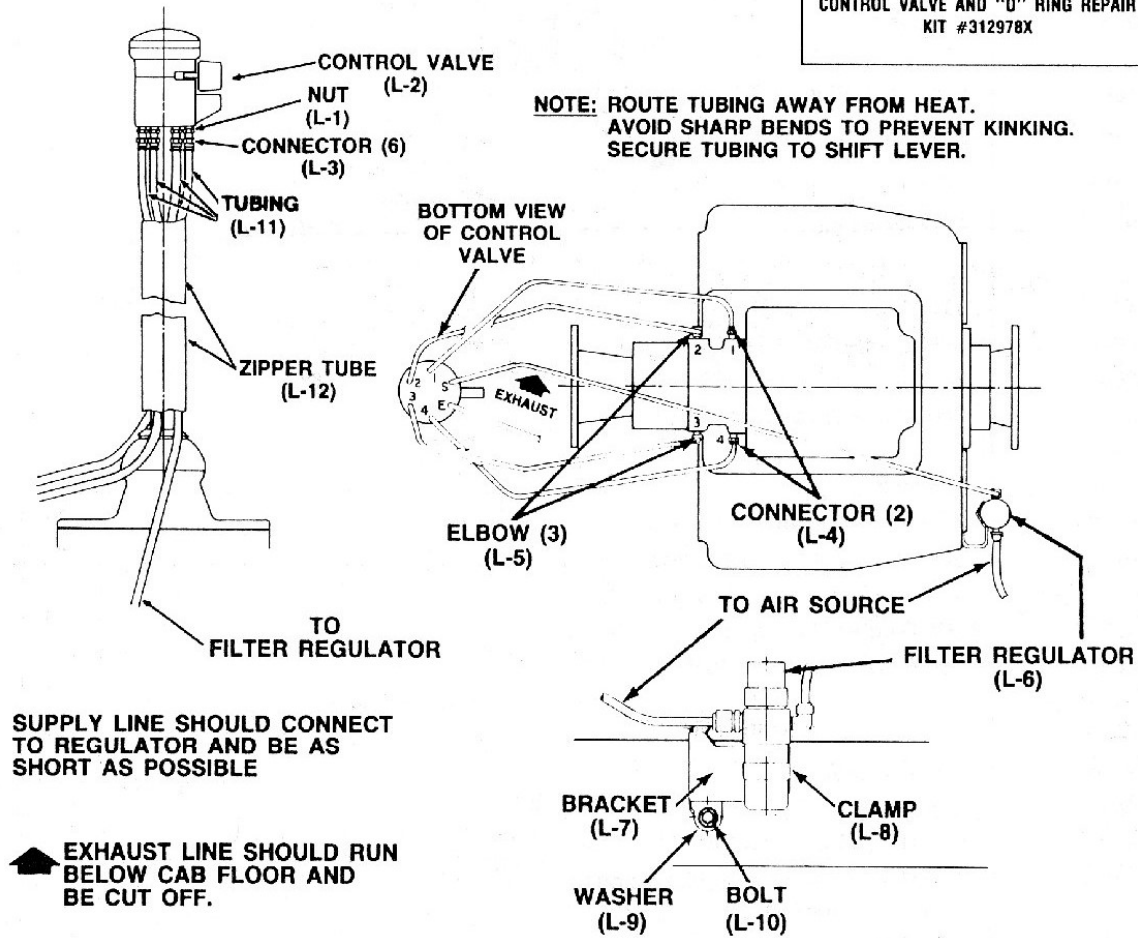


TUBING DIAGRAM

CONTROL VALVE AND "O" RING REPAIR KIT #312978X



Ref No. Part Number Part Description

313127

-X	-1X	-2X
1		1
1		1
6		6
2	2	2
3	3	3
1	1	1
1	1	1
1	1	1
2	2	2
2	2	2
1		1
		1
1		1
1		1

L-1	500803	Nut-Shift Lever jam
L-2	313179	Valve-Control
L-3	312526	Connector
L-4	312526-1	Connector
L-5	545025-1	Elbow
L-6	313042	Filter Regulator
L-7	97-411-19	Bracket - Filter Regulator
L-8	330831	Clamp - Filter Regulator
L-9	500365-26	Washer - 13/32" flat
L-10	545002-1	Bolt-3/8"-16x7/8" hex head self-locking
L-11	85-420-1-1	Tubing-Nylon Air Line (100 feet)
L-11	85-420-1	Tubing - Nylon Air Line (50 feet)
L-12	330716-1	Tubing - zipper type (3 feet)
N.S.	330717	Slider-zip

N.S. - Not Shown